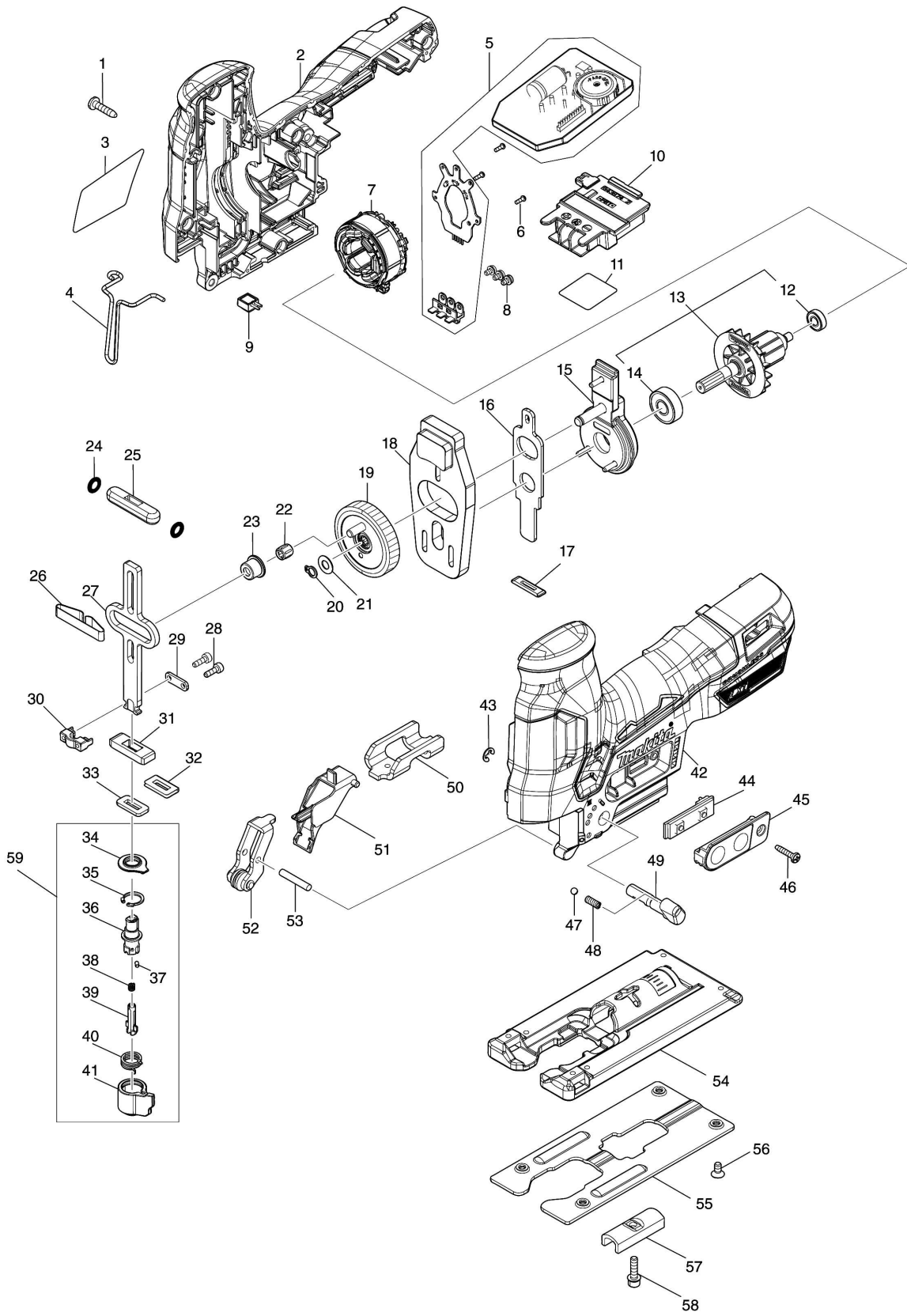


Model No.DJV185 CORDLESS JIG SAW



Model No.DJV185 CORDLESS JIG SAW

Položka	Číslo dílu	Popis	Změna	Množství	New/Old	Možnost 1	Možnost 2	Poznámka
001	266326-2	TAPPING SCREW 4X18		9				
002	183X94-5	HOUSING SET		1				
C10	263005-3	RUBBER PIN 6		2				
D10		INC. 42						
003	8589C8-1	DJV185 NAME PLATE		1				
004	323748-0	SAFETY WIRE		1				
005	620L44-2	CONTROLLER		1				
006	266490-9	TAPPING SCREW PT 2X6		3				
007	629B14-8	STATOR		1				
008	652069-6	FLAT HEAD SCREW M3X6		3				
009	620712-5	LED CIRCUIT		1				
010	643874-2	TERMINAL		1				
011	8589D9-6	DJV185 SERIAL NO. LABEL		1				
012	210039-7	BALL BEARING 695DDW		1				
013	519824-8	ROTOR ASSEMBLY		1				
D10		INC. 12,14						
014	210005-4	BALL BEARING 608DDW		1				
015	144820-3	BEARING CASE COMPLETE		1				
016	347249-4	PUSH PLATE		1				
017	416703-0	DUST SEAL		1				
018	310812-6	BALANCE PLATE		1				
019	141H68-6	GEAR COMPLETE		1				
020	961002-0	RETAINING RING S-6		1				
021	253715-0	FLAT WASHER 6		1				
022	212265-4	NEEDLE CAGE 508		1				
023	257872-6	SHOULDER SLEEVE 8		1				
024	213038-8	O RING 5		2				
025	313082-6	SLIDER GUIDE		1				
026	232183-0	LEAF SPRING		1				
027	347966-6	SLIDER		1				
028	266177-3	HEX. SOCKET HEAD BOLT M3X10		2				
029	347247-8	PLATE		1				
030	310811-8	BLADE CLAMP		1				
031	313086-8	SLIDER SUPPORT		1				
032	344686-3	SEAL PLATE		1				
033	423307-1	POLYURETHANE SPONGE SEAL		1				
034	424437-1	DUST COVER		1				
035	962063-3	RETAINING RING R-13		1				
036	310810-0	BLADE GUIDE		1				
037	256528-8	PIN 2		1				
038	233314-4	COMPRESSION SPRING 4		1				
039	310485-5	LOCK PIN		1				
040	233591-8	TORSION SPRING 10		1				
041	452850-3	INSERT HOLDER		1				

Please order the parts with part number.

Print Date 19/6/2023

Model No.DJV185 CORDLESS JIG SAW

Položka	Číslo dílu	Popis	Změna	Množství	New/Old	Možnost 1	Možnost 2	Poznámka
042	183X94-5	HOUSING SET		1				
C10	263005-3	RUBBER PIN 6		2				
D10		INC. 2						
043	961011-9	STOP RING E-4		1				
044	620L34-5	SWITCH UNIT		1				
045	144628-5	SWITCH PLATE COMPLETE		1				
046	266130-9	TAPPING SCREW BIND PT 3X16		1				
047	216008-6	STEEL BALL 4		1				
048	233151-6	COMPRESSION SPRING 4		1				
049	271441-9	LEVER 19		1				
050	347251-7	HOLDER		1				
051	457866-3	RETAINER GUIDE		1				
052	144629-3	RETAINER COMPLETE		1				
053	256206-0	PIN 4		1				
054	312C90-2	BASE		1				
055	345441-6	BASE PLATE		1				
056	912107-9	COUNTERSUNK HEAD SCREW M4X8		4				
057	344685-5	CLAMP PLATE		1				
058	922128-3	HEX. SOCKET HEAD BOLT M4X16		1				
059	135941-2	BLADE GUIDE ASS'Y		1				
D10		INC. 34-41						
A01	783201-2	HEX. WRENCH 3		1				
A02	413F05-1	DUST NOZZLE		1				
A03	457867-1	COVER PLATE		1				
A04	458191-5	DUST COVER		1				
A05	A-85737	JIGSAW BLADE NO.B22		1				
A06	A-85628	JIGSAW BLADE NO.B10		1				
A07	A-85793	JIGSAW BLADE NO.BR13		1				
A08B	821551-8	CONNECTOR PLASTIC CASE (TYPE3)		1				
C10	453974-8	LATCH		4				
A08C	821551-8	CONNECTOR PLASTIC CASE (TYPE3)		1				
C10	453974-8	LATCH		4				
A09B	8357K1-6	INNER TRAY		1				
A09C	8357K1-6	INNER TRAY		1				
A10B	***DC18RC	DC18RC FAST CHARGER		1				
D10		COMPO-PARTS						
A10C	***DC18RC	DC18RC FAST CHARGER		1				
D10		COMPO-PARTS						
A11B	450128-8	BATTERY COVER		1				
A11C	450128-8	BATTERY COVER		1				
A12B	197600-6	BATTERY BL1830B SET		2				
A12C	197280-8	BATTERY BL1850B SET		2				

Please order the parts with part number.

Print Date 19/6/2023